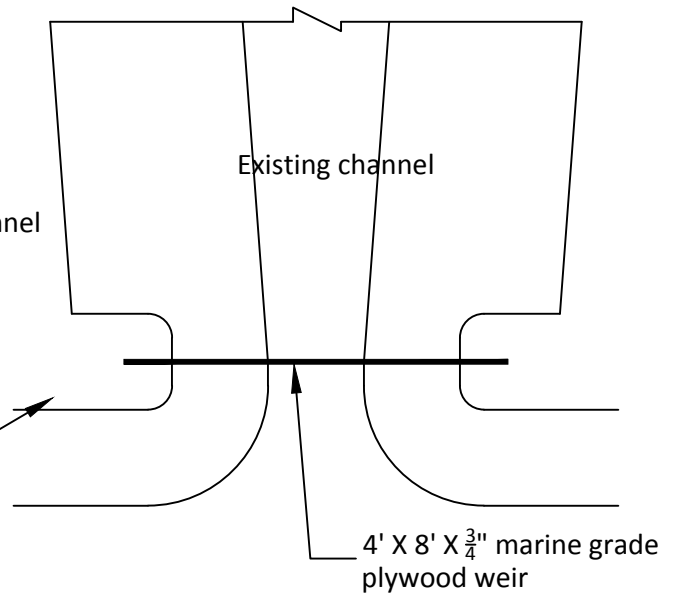


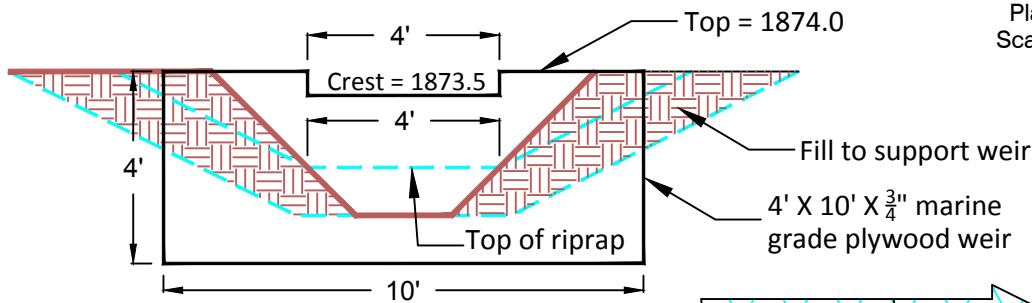
Primary Weir

Section View
Scale: 1"=4'



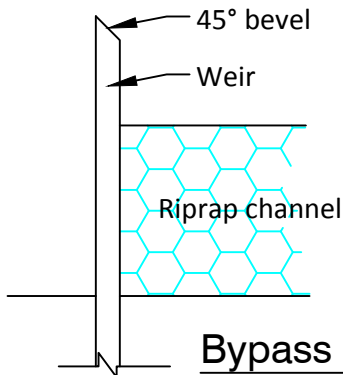
Primary Weir

Plan View
Scale: 1"=4'



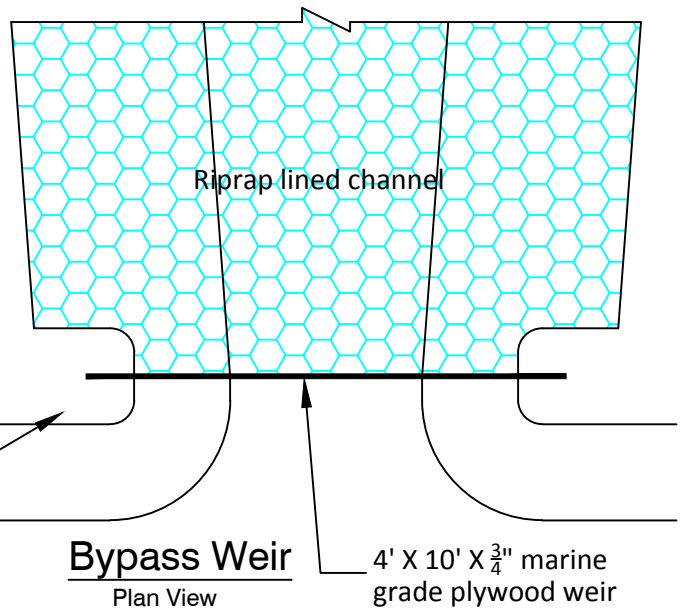
Bypass Weir

Profile View
Scale: 1"=4'



Bypass Weir

Section View
No Scale



Bypass Weir

Plan View
Scale: 1"=4'

NOTES:

- 1) This addendum replaces the weir details shown on the project plans.
- 2) The crest of both weirs should be beveled in the downstream direction.



HedinEnvironmental

195 Castle Shannon Blvd.
Pittsburgh, PA 15228
www.hedinenv.com

Lewis Site

**ADDENDUM 1
WEIR DETAILS**

MUNICIPALITY: Cherry Township	DATE: JULY 2015	FILE NAME: Sullivan Lewis.dwg
COUNTY: Sullivan County	DRAWN BY: NAW	SCALE: AS SHOWN